

MPC SERIES

HPC, HHPC & HMPC have been grouped together in MPC series.
MPC are known as CMR & HMPC are known as HDR.



TECHNICAL SPECIFICATIONS

TYPE		MPC			
TERMINAL TYPE		Plug In			
CONTACT CONFIGURATION		1C / 2C / 3C		2C	
RATED CARRYING CURRENT (RESISTIVE) AT 24 VDC / 250 VAC & 220VDC*		5A [#]	10A [#]	12A	16A
CONTACT MATERIAL		Silver alloy			
INITIAL CONTACT RESISTANCE		0.050 Ω			
COIL NOMINAL VOLTAGES	DC	6-250 V			
	AC	6-415 V @ 50 Hz / 60 Hz*			
OPERATING POWER (MIN-MAX) FOR DC COIL		0.72 - 1.25 W		1.20 - 1.25 W	
OPERATING POWER (MIN-MAX) FOR AC COIL		1.92 - 2.43 VA		2.42 - 3.60 VA	
DIELECTRIC STRENGTH BETWEEN	OPEN CONTACT	1500 V _{RMS}		1800 V _{RMS}	
	COIL TO CONTACT	2000 V _{RMS}			
INSULATION RESISTANCE AT 500 VDC AT 27°C & 65% RH		500 MΩ			
OPERATE TIME (MAX)		20 ms			
RELEASE TIME (MAX)		10 ms			
AMBIENT TEMPERATURE		-25°C To +55°C			
IMPULSE WITHSTAND VOLTAGE (AS PER IEC 60255-5)		5kV 1.2/50 μS.			
ELECTRICAL LIFE (NO. OF OPERATIONS)		10 ⁵			
MECHANICAL LIFE (NO. OF OPERATIONS)		10 ⁷			
ALL DIMENSIONS ARE IN MM (W X L X H) APPROX.		37 x 37 x 68			
MAX WEIGHT IN GRAMS (APPROX.)		75 gms			
INBUILT FEATURE		LED			
OPTIONAL FEATURES		DIODE			
STANDARDS		IEC 61810-1, IEC 60255-5 meeting as per JSS 50711 and JSS 50101			



(Photo For Representation Purpose Only)



SALIENT FEATURES

- High Reliability
- Elegant / Sturdy and Light weight
- ARC Suppressor*(HMPC)
- Dust Protected
- Excellent Isolation
- Medium Power Sources
- Compact High Performance
- Din Rail Socket Available

APPLICATIONS

- | | | |
|---------------------------|--|----------------------------------|
| • Machine Tools | • Bio-medical Instruments & Appliances | • Inverters |
| • Control Panels | • Uninterrupted Power Supplies | • Industrial controls |
| • Temperature controllers | • Process Control Systems | • Circuit Breakers |
| • Stabilizers | • Electrical Equipment's Appliances | • High voltage DC Panels/ Motors |
| • Textile Machines | • Automation & Remote Control Systems | • Scada Applications |
| • Battery Chargers | | |

NOTE :- 1) This product is type tested by TUV Nord as per IEC 61810-1:2015-A1:2019

2) Recommended socket :- For MPC 2C is MPC5 8, For MPC 3C is MPC5 11

3) All Specification / Dimensions subject to Tolerance

4) Gold plated contacts available with extra charges

5) *Relay with Arc suppressor (HMPC & HHPC) Available in 5A / 10A / 12A / 16A @220VDC with 2 Changeover (2C) contact

6) *Special Relay With 60Hz Compatibility Available At Extra Charge.

7) MPC series are also known as CMR (Contact multiplying relays) with rated carrying current resistive at 24VDC/250VAC. HMPC are HDR (Heavy duty relays) with rated carrying current resistive at 220VDC/250VAC

8) Any techno commercial changes is / are prerogative of manufacturer / management of the company which can be done without any notice



+91 9152626104



+91 7045459530



sales@plarelays.com



www.plarelays.com

1

COIL – DATA (5A / 10A) (MPC / HMPC) (ALL VALUES AT 27°C ± 2° AMBIENT, COLD START)

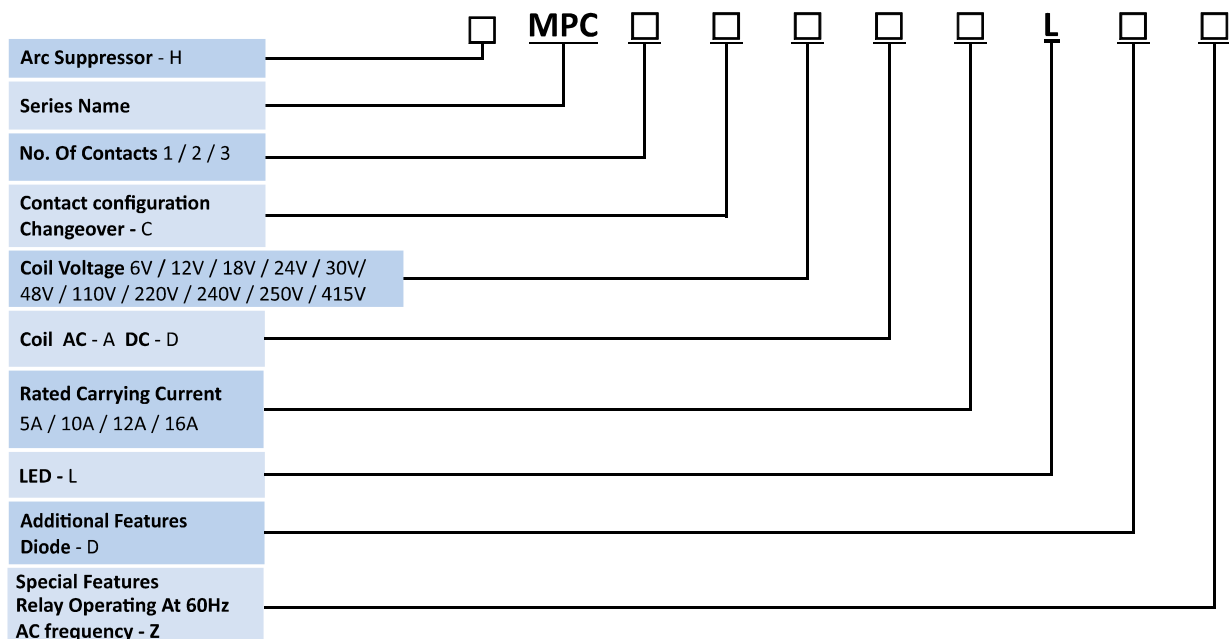
NOMINAL VOLTAGE (V)	RESISTANCE IN OHM'S ± 10%		MUST OPERATE VOLTAGE (V)	MUST RELEASE VOLTAGE (V)	OPERATING POWER FOR COIL	
	DC RELAY	AC RELAY			DC (W)	AC (VA)
6	30	7	4.8	0.6	1.20	2.06
12	1C	200	30	9.6	1.2	1.92
	2C	200	30	9.6	1.2	1.92
	3C	150	30	9.6	1.2	1.92
18	390	-	14.4	1.8	0.83	-
24	500	110	19.2	2.4	1.15	2.09
30	750	-	24	3.0	1.2	-
48	2.25k	440	38.4	4.8	1.02	2.09
110	10k	2.4k	88	11	1.21	2.02
220	50k	-	176	22	1.21	-
240	-	9.5k	192	24	-	2.43
250	54k	-	200	25	1.25	-
415	-	27k	332	41.5	-	2.55

HMPC & HHPC Relay Available (MPC with Arc Suppressor)

COIL – DATA (12A / 16A) (HPC) (ALL VALUES AT 27°C ± 2° AMBIENT, COLD START)

NOMINAL VOLTAGE (V)	RESISTANCE IN OHM'S ± 10%		MUST OPERATE VOLTAGE (V)	MUST RELEASE VOLTAGE (V)	OPERATING POWER FOR COIL	
	DC RELAY	AC RELAY			DC (W)	AC (VA)
6	30	4	4.8	0.6	1.20	3.60
12	120	16	9.6	1.2	1.20	3.60
18	270	-	14.4	1.8	1.20	-
24	480	110	19.2	2.4	1.20	3.29
30	750	-	24	3.0	1.2	-
48	1.9k	-	38.4	4.8	1.21	-
110	10k	2k	88	11	1.21	2.42
220	40k	-	176	22	1.21	-
240	-	9.5k	192	24	-	2.43
250	45k	-	200	25	1.38	-
415	-	27k	332	41.5	-	2.55

ORDERING CODE FOR RELAY



+91 9152626104



+91 7045459530

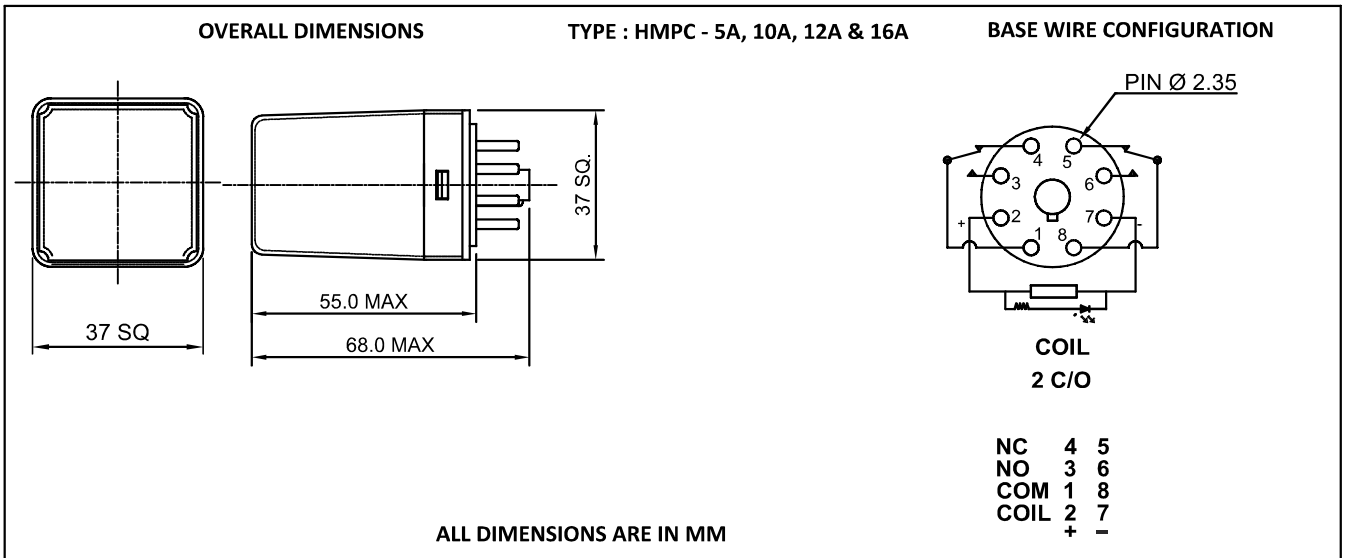
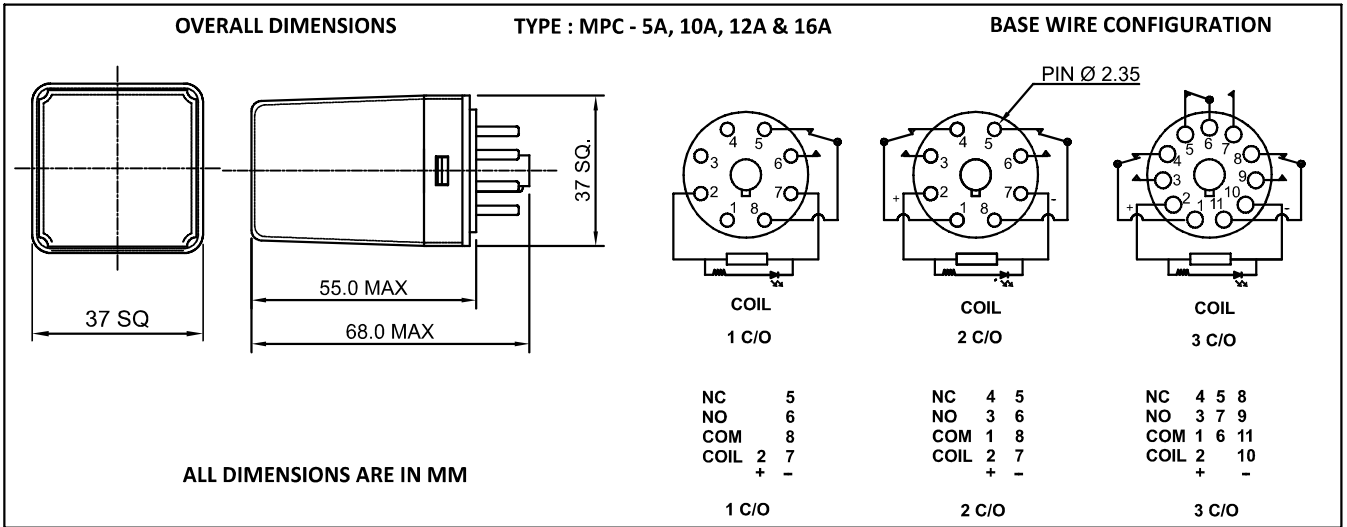


sales@plarelays.com



www.plarelays.com

OVERALL DIMENSIONS



NOTE :- 1) In case no tolerance shown in outline dimensions : Outline dimension 1mm, tolerance should be $\pm 0.2\text{mm}$
Outline dimension 1mm and 5mm, tolerance should be $\pm 0.3\text{mm}$ Outline dimension 5mm tolerance should be $\pm 0.4\text{mm}$
2) The tolerance without indicating for PCB layout is always $\pm 0.2\text{mm}$

